



***Serving Mining, Construction and
Industrial Markets Since 1904***

- ***Supplies***
 - ***Manufacturing***
 - ***Service***
 - ***Equipment***

Supplier and Product Catalogue



• **Nitro**

20 McJunkin Road
Nitro, West Virginia 25143
Phone: (304) 759-4800
Toll Free: 1-800-340-8801
Fax: (304) 759-4817

• **Clarksburg**

212 N Ohio Avenue
Rt. 2, Box 924
Clarksburg, West Virginia 26301
Phone: (304) 623-5670
Toll Free: 1-800-473-0110
Fax: (304) 623-5676

• **Huntington**

555 7th Avenue
P. O. Box 58
Huntington, West Virginia 25706
Phone: (304) 526-4750
Toll Free: 1-800-669-1967
Fax: (304) 526-4777

• **Middlesboro**

Route US 25 East
P. O. Box 8
Middlesboro, Kentucky 40965
Phone: (606) 248-2054
Toll Free: 1-800-442-0134
Fax: (606) 248-2082

• **Prestonsburg**

KY Route 321 North
P. O. Box 126
Prestonsburg, Kentucky 41653
Phone: (606) 886-8123
Toll Free: 1-800-844-8123
Fax: (606) 886-8627

• **Lube & Fire Division**

KY Route 321 North
P. O. Box 126
Prestonsburg, Kentucky 41653
Phone: (606) 886-1018
Toll Free: 1-866-281-5897
Fax: (606) 886-0146

www.logancorp.com

Supplies



Manufacturing



Service



Equipment



A

ABRASIVES - Arrow, Camel, Edmar, Global, Republic, Standard, Superior, United Abrasives

ABSORBENT - American Engineering Fabrics, Eagle Pitcher

ADAPTERS - Bucyrus, BYG, Dixon, ESCO

ADHESIVES & SEALANTS - CRC, Devcon, Loctite

AFTERCOOLERS - Pneumatech

AFTERCOOLERS - LOCOMOTIVE - General Electric, EMD

AGITATORS - Graco

AIR ACCESSORIES - Airtek, Alemite, American Lubrication, Curtis-Toledo, Kent, Sullair

AIR BRAKE PARTS - LOCOMOTIVE - General Electric, EMD, ALCO

AIR COMPRESSORS - Airtek, Champion, Curtis-Toledo, Saylor Beall, Sullair

AIR COMPRESSORS, AIR & WATER COOLED - LOCOMOTIVE - General Electric, EMD

AIR DRYERS - Curtis-Toledo, Hankinson, Henderson, Pneumatech, Sullair

AIR TOOL BITS - Kent, Sullair, Tamco

AIR TOOLS - American Pneumatic, Kent, Sullair, Tamco

ALTERNATORS - LOCOMOTIVE - General Electric, EMD

ASPHALT ROLLERS - Multiquip, Stone, Wacker

AUGERS (EARTH) - McLaughlin

AXLE ALTERNATORS & GENERATORS - LOCOMOTIVE - General Electric, EMD

AXES - Ames, Council

AXLE LININGS, MOTOR SUPPORT BEARINGS - LOCOMOTIVE - General Electric, EMD

B

BANDSAWS - DeWalt, Marvel, W.F. Wells, Wellsaw

BARs - Bowdill, Warwood

BASINS - Zoeller

BATTERIES (LANTERN, SHOT) - Bright Star

BEAMS (FORKLIFT) - Caldwell

BEARINGS - Screw Conveyor

BEARINGS, TRACTION MOTORS & GENERATORS, ENGINE - LOCOMOTIVE - General Electric, EMD, ALCO

BELLS & BELL RINGERS - LOCOMOTIVE - General Electric, EMD

BELT FASTENERS - Alcoa (Huck Bolt), MLT

BELT REPAIR KITS - Loctite, MLT

BELT SPLICES - MLT

BELT WIPERS - Hewitt-Robins

BELTS (SANDING) - Arrow, Standard, Superior, United Abrasives

BINS (Storage) - Akro Mills

BIT SETS - Armstrong, DeWalt

BITS (AIR TOOL) - Kent, Sullair, Tamco

BITS (DIAMOND CORE) - Diamond Products

BITS (END) - Bucyrus, ESCO

BITS (MINER) - Fansteel

BITS (ROCK) - Brunner & Lay, Tamco

BITS (ROTARY DRILL & HAMMER) - DeWalt, Focus, Excera

BITS (STEEL TOOTH) - Focus, Excera

BITS (TRI-CONE) - Focus, Excera

BITS (TUNGSTEN CARBIDE) - Focus, Excera

BITS (WOOD BORING) - DeWalt, Irwin

BLADES (BAND SAW) - DeWalt, Diamond Saw Works, Edmar, Everett, Republic, Rule, Sandvik, Wagman, United Abrasives

BLADES (DOZER, GRADER, SNOW PLOW) - Bucyrus, BYG, ESCO

BLANKETS (EROSION CONTROL) - BonTerra, Carthage Mills

BLAST MEDIA - Church & Dwight

BLASTERS (PORTABLE) - Schmidt

BLOCKS - Crosby

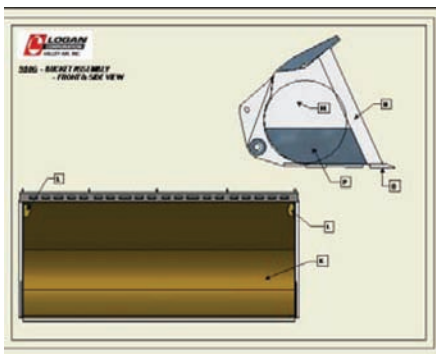
BOLTS - Alcoa (Huck), Earnest Machine, Vossloh

BONDS (CROSS, RAIL) - Vossloh

BOOMS (FORKLIFT) - Caldwell

BORING MACHINE - Sumitomo

BOWL LINERS - Logan Corporation



BRAKE FLUID - Radiator Specialty

BRAKE HEADS, KEYS & SHOES -

LOCOMOTIVE - General Electric, EMD

BRAKES, HANDWHEEL - LOCOMOTIVE - General Electric, EMD

BREAKERS (PAVING) - Kent, Sullair, Tamco, Wacker

BRUSH HOLDERS - TRACTION MOTORS & GENERATORS - LOCOMOTIVE - General Electric, EMD, ALCO

BRUSHES - Advance, Johnston, Keystone Plastics, Milwaukee, Republic, Standard Abrasives, United Abrasives

BUCKETS - ESCO, USA Attachments, Logan



BUCKETS (ELEVATOR) - FMC, Maxi-Lift, Screw Conveyor, Webster

BULBS (LOCOMOTIVE) - General Electric, EMD, ALCO

BURRS (CARBIDE) - Boro Park

BUSHINGS - Martin

C

CAB HEATERS & FANS - LOCOMOTIVE - General Electric, EMD

CABLE (ELECTRIC) - General Electric, ITT-Royal

CABINETS - Armstrong, Durham, Eagle, Justrite, Larsen's, Little Giant, Lyon, Quantum Storage, Sandusky

CABLE ACCESSORIES (TROLLEY) - Phoenix, Duquesne

CABLE LEADS - TRACTION MOTORS & GENERATORS - LOCOMOTIVE - General Electric, EMD

CANS - Eagle, Justrite, Safeway

CANVAS - Service Canvas, Mid-West Canvas

CAPS, GEARCASE & RADIATOR - LOCOMOTIVE - General Electric, EMD

CAR PULLERS - Aldon, FMC, Stephens-Adamson

CAR SHAKERS - Aldon, Hewitt-Robins
CAR SPOTTERS, MOVERS - Aldon
CAR STOPS - Aldon
CARBIDE (BLANK BARS) - IMCO
CARBIDE (INSERTS & TOOL HOLDERS) -
RTW CARD HOLDERS - LOCOMOTIVE -
 General Electric, EMD
CARTS - Jesco
CASTERS & WHEELS - FMC, Hamilton
CENTER PLATES & BOWL LINERS -
LOCOMOTIVE - General Electric, EMD
CHAIN (ALLOY) - Acco, Campbell, Columbus
 McKinnon, Crosby, Laclede
CHAIN (CABLE HANDLING) - Victor
CHAIN (CONVEYOR) - Diamond
CHAIN (DRAGLINE) - ESCO
CHAIN (ELEVATOR) - Screw Conveyor
CHAIN (ENGINEERING) - Moline, Union,
 Zurcher
CHAIN (HIGH TEST) - Acco, Campbell,
 Columbus McKinnon, Crosby, Laclede
CHAIN (LONGWALL) - Columbus McKinnon,
 Rud
CHAIN (MANGANESE) - Zurcher
CHAIN (PROOF COIL) - Acco, Campbell,
 Columbus McKinnon, Crosby, Laclede
CHAIN (RIVETLESS) - Union, Zurcher
CHAIN (ROLLER) - Diamond, Jeffrey,
 Sapphire
CHAIN (SHUTTLE CAR) - Union
CHAIN (WASH BOX) - Zurcher
CHALK - Irwin, Keson
CHEMICAL ABSORBENT - Eagle-Picher
CHIPPING HAMMERS - American Pneumatic,
 Kent, Sullair
CHISELS - Bowdil
CHUCKS - Bison, Jacobs, Rohm, SCA, SMW
CIRCUIT BREAKERS - Duquesne, Phoenix
CIRCUIT BREAKERS - LOCOMOTIVE -
 General Electric, EMD, ALCO
CLAMPS - Dixon, Duquesne, James Morton,
 Jet, Phoenix, Wilton
CLAMSHELL BUCKETS - Anvil
CLEANER (CONTACT, HAND) - Aervoe, CRC,
 Devcon, Loctite, LPS, Simple Green
CLIPS - Crosby, Van Beest
COATINGS (PROTECTIVE) - Aervoe, Loctite,
 LPS, Rust-Oleum, LPS
COLLARS - Alcoa (Huck)
COMMUTATORS - TRACTION MOTORS &
GENERATORS - LOCOMOTIVE -
 General Electric, EMD, ALCO
COMPACTOR ROLLERS - Bomag, Wacker

COMPACTORS - Bomag, Multiquip, Stone,
 Wacker
COMPOUND (TOOL) - Bel-Ray
COMPRESSOR PARTS - Airtek, Champion,
 Curtis-Toledo, Saylor Beall, Sullair
COMPRESSOR RENTAL - Sullair, Curtis-
 Toledo



COMPRESSORS (ELECTRIC, GAS & DIESEL)
 - Airtek, Champion, Curtis- Toledo,
 Saylor Beall, Sullair
COMPRESSORS (PORTABLE) - Champion,
 Sullair
COMPRESSORS (RECIPROCATING) - Airtek,
 Curtis-Toledo, Saylor Beall
CONCRETE CONVEYORS - Screw Conveyor
CONCRETE FINISHING MACHINES &
BLADES - Multiquip, Stone, Wacker
CONCRETE MIXERS - Multiquip, Stone
CONCRETE PRIMER - Devcon, Loctite
CONCRETE POWER SCREEDS - Multiquip,
 Stone
CONCRETE SAWS & BLADES - Diamond
 Products, Edmar, Everett, Multiquip,
 Stone, United Abrasives, Wacker
CONCRETE VIBRATORS - Multiquip, Stone,
 Wacker, Wyco
CONDITIONER (TROLLEY WIRE) - Phoenix
CONNECTING LINKS (LONGWALL) -
 Columbus McKinnon, Rud
CONNECTORS - Phoenix, Rud
CONTACT CLEANER - Aervoe, CRC, Loctite
CONTACT TIPS - LOCOMOTIVE - CRANE -
 General Electric, EMD, ALCO
CONTACTORS - LOCOMOTIVE - General
 Electric, EMD, ALCO
CONTROLLERS, PANELS & MODULES -
LOCOMOTIVE - General Electric, EMD
CONVEYOR IDLERS - FMC, Hewitt-Robins,
 Precismeca
CONVEYORS (BULK FLOW) - FMC, Screw
 Conveyor
CONVEYORS (SCREW) - FMC, Martin
 Sprocket, Screw Conveyor

COOLANT - Monroe, Sullair
COOLANT SKIMMERS - Zebra
COOLERS - Igloo, Rubbermaid
COUPLERS - American Lubrication, Dixon,
 Enerpac
COUPLINGS (BOSS) - Dixon
COUPLINGS (BRASS) - LDM Products, Red
 Head
COUPLINGS (CHAIN) - Martin Sprocket
COUPLINGS (FLEXIBLE) - Martin Sprocket,
 Morris, Wood's, Zurn
COUPLINGS (FLUID) - Voith
COUPLINGS (GEAR) - Zurn
COUPLINGS (PIPE) - Morris
COVERS, INSPECITON - LOCOMOTIVE -
 General Electric, EMD
CRANES - Duff-Norton, David Round
CRANES (JIB OR GANTRY) - Spanco, Vestil
CUTTERS - Benner-Nawman, Morse Starrett,
 Partner, Rigid, Vaughn
CUTTERS (COBALT) - Universal Drilling
CUTTING EDGES - Bucyrus, BYG, ESCO,
 Logan
CUTTING TOOLS - Melin, Morse, National
 Twist
CYLINDERS - Enerpac, Simplex

D

DEGREASERS - Aervoe, CRC, Loctite,
 Simple Green
DERAILS - Aldon
DIES - Morse, National Twist Drill, Republic
DIGITAL WEIGHT INDICATORS - Newall
DOOR HANDLES & LOCKS - LOCOMOTIVE -
 General Electric, EMD
DRILL BITS - Brunner & Lay, Bucyrus, BYG,
 ESCO, Morse, Tamco, Varel
DRILL STEEL - Brunner & Lay, Fansteel,
 Logan, Parmanco, Tamco



DRILLS - DeWalt, Morse, National Twist Drill
DRILLS (HYDRAULIC) - Kent, Victor
DRIVES (REDUCER) - Wood's
DRUMS - Dixie
DRYERS (AIR) - Airtek, Hankinson,
Pneumatech, Sullair

E

ELEVATOR BUCKETS & PARTS - FMC, Maxi-
Lift, Screw Conveyor
END MILLS (H.SS. & CARBIDE, COLBALT) -
Melin, Morse, National Twist
ENGINE COMPONENTS - LOCOMOTIVE -
General Electric, EMD
EQUIPMENT - Air Compressors, Articulating
Booms, Buggies, Concrete Mixers,
Generators, Light Towers, Scissor Lifts,
Trash & Water Pumps,
Water Trucks
EXTINGUISHERS - Ansul, Amerex, Badger

F

FABRIC - (ERROSION CONTROL) -
Consolidated Construction, Carthage
Mills, GEO Textile
FANS - ARMATURE & COOLING -
LOCOMOTIVE - General Electric, EMD
FASTENING SYSTEMS - Alcoa (Huck)
FASTENERS - Alcoa (Huck), Earnest Machine
FEEDER-BREAKER CHAIN - Union
FEEDERS - FMC, Strongwell
FENCE (PLASTIC) - Colonial, Consolidated
Construction
FENDERS - Logan
FIELD COILS - TRACTION MOTORS &
GENERATORS - LOCOMOTIVE -
General Electric, EMD, ALCO
FILES - Simonds, Warrensville, Williams
FILTERS, AIR, FUEL & OIL - LOCOMOTIVE -
General Electric, EMD, ALCO
FILTERS (AIR LINE) - Alemite, American
Lubrication, Dixon, Pneumatech,
Sullair
FINISHERS (CONCRETE) - Multiquip, Stone,
Wacker
FIRE EXTINGUISHERS - Ansul, Amerex,
Badger
FIRE EXTINGUISHING CHEMICALS - Ansul
FIRE HOSE - Dixon
FIRE SUPPRESSION SYSTEMS -
(AUTOMATIC & MANUAL) - Ansul

FITTINGS (WIRE ROPE) - Campbell,
Columbus McKinnon, Crosby,
MacWhyte, Volunteer
FLANGES - Martin
FLAP WHEELS - Camel, Standard Abrasives,
Superior Abrasives, United Abrasives
FLIGHT BARS (LONGWALL) - Columbus
McKinnon, Rud
FLOOD LIGHTS (PORTABLE) - Magnum,
Multiquip, Wacker
FLOOR DRY - Eagle-Picher
FLOOR PATCH - Devcon, Loctite
FLOW METERS - Conflow, Dixon
FLUID (HYDRAULIC) - Bel-Ray, Citgo,
Schaeffer
FLYRAILS - Mine Hanger Surplus
FOAM - Keystone
FROGS (TROLLEY LINE) - CAB, Duquesne,
Phoenix
FUEL PUMPS - LOCOMOTIVE - General
Electric, EMD
FUNNELS - Eagle
FUSE HOLDERS - Duquesne, Phoenix
FUSES & HOLDERS - LOCOMOTIVE -
General Electric, EMD

G

GABIONS - Amcon, Interstate Construction
GASKET REMOVER - CRC
GASKETS, SEALS, PACKING - LOCOMOTIVE
- General Electric, EMD, ALCO
GAUGES - American Lubrication, Dixon,
Enerpac
GEAR CASES, SEALS & LUBRICATORS -
LOCOMOTIVE - General Electric, EMD,
ALCO
GEARS & PINIONS - LOCOMOTIVE - General
Electric, EMD, ALCO
GLOVES - Burnham, Ergotech, Wells Lamont,
West Chester
GENERATORS - Honda, Magnum, Multiquip,
Sullair, Wacker, Winco



GREASE FITTINGS - Alemite, American
Lubrication, Dixon, Lincoln
GREASE GUNS - Alemite, American
Lubrication, Dixon, Lincoln
GREASE PUMPS - Alemite, American
Lubrication, E-Power Remote, Runyen
GRINDERS - DeWalt, Diamond Products

H

HAMMER (HYDRAULIC) - BTI, ESCO, Kent
HAMMER DRILLS - DeWalt
HAMMERS & SLEDGES - Ames,
Channellock, Council, Sweets, Warwood
HAND PUMPS (HYDRAULIC) - Duff-Norton,
Simplex
HAND TOOLS - Ames, Armstrong,
Channellock, Cooper, Council, Ridge
Tools, Starrett, Urrea, Vaughn &
Bushnell, Williams
HANDLES (TOOL) - Ames
HANDLES (FILE) - Warrensville
HANDLES, BRAKE & REVERSER -
LOCOMOTIVE - General Electric, EMD
HANDRAILS - Logan NON-COMPLEX®
RENEWAL PARTS



HANDY ROLLS - Global, Standard, Superior,
United
HANGERS (MINE) - CAB, Phoenix
HARPS - Phoenix
HEATERS - L. B. White
HINGES - Lawrence
HITCHES - Wallace Forge
HOG RINGS & TOOLS - Amcon
HOIST ACCESSORIES - Caldwell, Coffing,
Columbus McKinnon, Duff-Norton,
Harrington, R & M, David Round, Yale
HOISTS (CHAIN) - Coffing, Columbus
McKinnon, Duff-Norton, Harrington,
Ingersoll-Rand, R & M, David Round,
Yale

HOISTS (ELECTRIC) - Coffing, Columbus McKinnon, Duff-Norton, Ingersoll-Rand, R & M, David Round, Yale

HOISTS (WIRE ROPE) - Columbus McKinnon, Duff-Norton, David Round, R & M, Wyeth-Scott, Yale

HOOKS (CHAIN) - Acco, Campbell, Columbus McKinnon, Crosby, Laclede

HOOKS (TROLLEY) - CAB, Phoenix

HOOKS (WIRE ROPE) - Columbus McKinnon, Crosby, Laclede

HOPPERS - McCullough, Valley Craft, Vestil, Wesco

HORNS & REPAIR PARTS - LOCOMOTIVE - General Electric, EMD

HOSE (FIRE) - Dixon

HOSE CLAMPS - Dixon

HOSE COUPLINGS & FITTINGS - Dixon

HOSE REELS - Cox, Hannay, Reelcraft

HUBS - Martin

HYDRAULIC POWER PAKS - Duff-Norton, Simplex

HYDRAULIC RAMS - Duff-Norton, Simplex

HYDRAULIC ROCK SPLITTERS - Elco

I

IDLERS (CONVEYOR) - FMC, Hewitt-Robins, Precismeca

IMPACT WRENCHES (AIR) - American Pneumatic, Chicago Pneumatic, Florida Pneumatic, Ingersoll Rand

INJECTORS - LOCOMOTIVE - General Electric, EMD

INTERCOOLERS - LOCOMOTIVE - General Electric, EMD

J

JACKS (HYDRAULIC) - Duff-Norton, Simplex

JACKS (MECHANICAL/RATCHET) - Duff-Norton, Hi-Lift, Northco, Simplex

JACKS (MINE ROOF) - Duff-Norton, Hi-Lift, Northco, Simplex

K

KNIFES - Olfa, Techni-Edge, Warrensville

L

LADDERS - Ballymore, Carbis, Garlin, Gillis,

Louisville, Werner

LAMPS (LOCOMOTIVE) - General Electric, EMD, ALCO

LATHES - Samco Machine

LEVELER (LOAD) - Advance, Southworth

LIFT TABLES - Advance, Presto, Southworth, Valley Craft

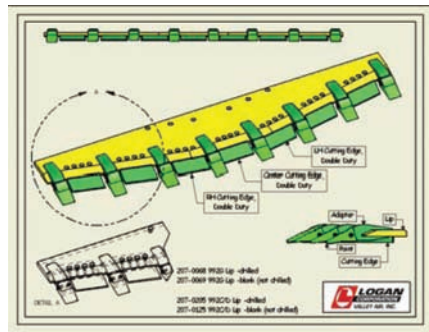
LIFT TRUCKS - Atlas

LIFTING ACCESSORIES (SPECIAL) - Caldwell

LIGHTS (PORTABLE FLOOD) - Go-Light, Multiquip, Wacker, Winco

LIGHTS, DITCH - LOCOMOTIVE - General Electric, EMD

LIP ASSEMBLIES - Logan



LIP SYSTEM - Bucyrus, ESCO

LIPS (BUCKET) - ESCO

LOAD BINDERS - Columbus McKinnon, Crosby

LOCKERS - Lyon

LOCOMOTIVE PARTS - General Electric, EMD, ALCO, Plymouth

LONGWALL CABLE HANDLER - Columbus McKinnon (Bretby)

LONGWALL CHAIN - Columbus McKinnon

LONGWALL CONNECTING LINKS - Columbus McKinnon, Rud

LONGWALL FLIGHT BARS - Columbus McKinnon

LONGWALL SCRAPER BARS - Columbus McKinnon

LONGWALL SHACKLE ASSEMBLIES - Columbus McKinnon

LUBRICANTS - Aervoe, Bel-Ray, Break-Free, Citgo, CRC, Loctite, LPS, Marvel Oil, Monroe, Schaeffer, Sullair, Visco, WD-40

LUBRICATING EQUIPMENT - Alemite, American Lubrication, Dixon,

Dutton Lainson, Lincoln

LUBRICATION SYSTEMS - Alemite, Lincoln

M

MACHINE GUARDS - Dewalt, Flexbar, Magnetic Drills, Milwaukee, Universal

MANHOLES - Advanced Drainage

MARKING MATERIALS - Dixon Ticonderoga, Irwin

MATERIAL HANDLERS - Genie, JLG

MATERIAL LIFTS - Genie, JLG

MATTOCKS - Ames, Warwood

MATS (Safety) - Crown, Tennessee, Wear Well

MENDERS - Dixon

MINE TIES & ANGLE BARS - Vossloh

MINING TOOTH SYSTEM - ESCO

MIRRORS - LOCOMOTIVE - General Electric, EMD

MIXERS (CONCRETE & MORTAR) - Multiquip, Stone

MOIL POINTS - Brunner & Lay, Kent, Tamco

MOVING EQUIPMENT - Hillman

N

NAILS - Primesource

NIPPLES (HOSE) - Dixon

NON-COMPLEX® RENEWAL PARTS - Logan Corporation

NOZZLES (FIRE) - Moon, Red Head

NOZZLES (SAND BLASTING) - Lindsay, Schmidt, Steinen

NOZZLES (WATER SPRAY) - Conflow, Spraying Systems, Steinen

NYLON SLINGS - Allegheny, Caldwell, Liftex, Lift-Tech, Pennsylvania Sling, Volunteer, Wear Flex, Wireco

O

OBSOLETE & VINTAGE PARTS FOR General Electric, EMD, ALCO and Plymouth Locomotives

OIL - Bel-Ray, Break-Free, Citgo, CRC, Schaeffer

OIL ABSORBENT - American Engineering, Eagle-Picher

OIL CANS - Alemite, Eagle, Justrite

OIL PUMPS - LOCOMOTIVE - General Electric, EMD

P

PADS (ABRASIVE) - Standard Abrasives, Superior, United Abrasives

PAINT - Aervoe, Columbia, Rust-Oleum
PALLET RACKING - Dyna, Power Storage, Republic Storage, Scotland
PAVEMENT BREAKERS - Kent, Sullair, Tamco
PEDESTAL LINERS - LOCOMOTIVE - General Electric, EMD
PICKS - Ames, Bowdil, Cooper, Warwood
PIN PUNCHES - Bowdil, Osborne
PINS (HINGE) - Lawrence
PIPE (BLACK) - Maverick Tube, Poly-America, Polyethylene Film
PIPE (CULVERT) - Advanced Drainage, Contech, St. Regis
PIPE (PLASTIC) - Appalachian
PIPE ADAPTERS - Appalachian
PLATE (PUNCH) - Buffalo, Hendrick
PLATES (STEEL) - SAAB (Hardox®)
PLATES (VIBRATORY) - Wacker, Stone
PLATES (WEAR) - Abrasi-Tek, SAAB
PLIERS - Armstrong, Channellock, Cleform, Cooper, Urrea, Williams
PLUCKER (PAVEMENT) - Tarrant
POINTS (DRAGLINE) - ESCO
POINTS (EXCAVATOR) - Bucyrus, BYG, ESCO, GETCO



POLES (TROLLEY) - Hammond, Keith Lumber, Phoenix
POLYSTYRENE - Keystone Foam
POWER-PAKS - Duff-Norton, Alcoa (Huck), Simplex
POWER TAKE-OFFS - Sullair
POWER TRANSMISSION - Diamond, Wood's
PRESSURE SWITCHES - LOCOMOTIVE - General Electric, EMD
PRESSURE WASHERS - MI-T-M, Hotsy
PULL RELEASES - Wallace
PULLER SETS (HYDRAULIC) - Enerpac, Simplex
PULLERS - Aldon, Armstrong, Enerpac, Gibraltar Equipment, Ingersoll-Rand
PULLEYS - Precision
PULLEYS (CONVEYOR BELT) - FMC, Hewitt-

Robins, Precismeca
PUMPS (CONSTRUCTION) - All-Flo, CH&E, Honda, Multiquip, Stone, Wacker, Winco
PUMPS (DIAPHRAGM) - All-Flo
PUMPS (ELECTRIC) - E-Power Remote
PUMPS (HYDRAULIC) - Duff-Norton, Enerpac, Simplex
PUMPS (SUBMERSIBLE) - CH&E, Kenco, Multiquip, Wacker, Zoeller
PUMPS (TRANSFER) - American Lubrication, Conflow, Lincoln, Runyen
PUMPS (TRASH) - Berkeley, CH&E, Honda, Multiquip, Wacker
PUMPS (WATER) - Berkeley, CH&E, Honda, Multiquip, Zoeller



PUNCH PLATE - Buffalo Wire, Hendrick, Sherman & Reilly
P.V.C. STRIPS - Spanco

R

RACKS - Dyna, Lyon
RAGS - Anchor Wiping, Coastal Wipes, Star
RAIL BENDERS - Aldon
RAIL BOLTS - Alcoa (Huck), Vossloh
RAIL BONDS - Vossloh
RAIL CROSS BONDS - Vossloh
RAIL MINE TIES - Vossloh
RAIL SPIKES - Vossloh
RAIL TIES & ANGLE BARS - Vossloh
RAIN SUITS - Abel, Morgan
RAMMERS - Multiquip, Wacker
REAMERS - Morse, National Twist Drill, Republic
REELS - American Lubrication, Dixon, Hannay, Reelcraft
REGULATORS - American Lubrication, Dixon, Lincoln
RELAYS - LOCOMOTIVE - General Electric, EMD

RENTAL SALES & SERVICE - Air Compressors (Electric and Portable), Boom Lifts, Breakers and Chipping Hammers, Light Towers, Trench Shoring, Water Pumps
RESISTORS - LOCOMOTIVE - General Electric, EMD
REVERSERS - LOCOMOTIVE, CRANE, DRAG LINE - General Electric, EMD
REWIND KITS - TRACTION MOTORS & GENERATORS - LOCOMOTIVE - General Electric, EMD, ALCO
RIGGING (DRAGLINE) - ESCO
RIPPER (POINTS, SHROUDS) - Bucyrus, BYG, ESCO
ROCK BITS - Brunner & Lay, Focus, Excera, Tamco
ROCK DRILLS - Kent, Sullair, Tamco
ROCK SPLITTERS (HYDRAULIC) - Elco
RODS (FIBERGLASS) - Morrison, Strongwell
ROLLER CHAIN - Diamond
ROPE - Bridon, MacWhyte, Volunteer, Wirecro
ROPE (MANILA) - Cord Tex, Crowe
ROPE (NYLON) - Cord Tex, Crowe
ROPE CLIPS - Campbell, Columbus McKinnon, Crosby
RUBBER (PUTTY) - Devcon, Loctite
RULERS (MEASURING) - Cooper, Keson, Lufkin, Starrett
RUST PREVENTATIVE - Denco, Devcon, Loctite

S

SAFETY EQUIPMENT (MINE) - CAB, MSA
SAFETY PRODUCTS - Abel, Arkon, Ergotech, North, Miller, Morgan, MSA
SAFETY SIGNS - Safety Sign
SAND HOSE, NOXXLES, VALVES - LOCOMOTIVE - General Electric, EMD
SANDBLASTING CABINETS - Cyclone, Trinco
SANDBLASTING PRODUCTS - Church & Dwight, Lindsay, Schmidt
SANDING DISCS - Standard Abrasives, Superior Abrasives, United Abrasives
SAW BLADES - American Saw, DeWalt, Diamond Saw Works, Edmar, Everett, Morse, Sandvik, United Abrasives, Wagman
SAWS - American Saw, Diamond Products, DeWalt, Everett, Partner, Wacker
SCALES (ELECTRONIC) - Newall

SCARIFIER (SHANKS, TIPS, WEDGES) - Bucyrus

SCISSOR LIFTS - Genie, JLG

SCOOPS (COAL) - Ames

SCREW CONVEYORS - FMC, Martin Sprocket, Screw Conveyor

SCREWDRIVERS - Armstrong, Cooper, DeWalt, Urrea, Williams

SEALANTS & ADHESIVES - CRC, Denco, Devcon, Loctite

SEATS - LOCOMOTIVE - General Electric, EMD

SERVICE (FIELD & SHOP) - Air Compressors, Air Tools, Booms, Light Towers, Pumps, Scissor Lifts

SHACKLES - Crosby

SHAFT COLLARS - Wood's

SHAFTS, ARMATURE - LOCOMOTIVE - General Electric, EMD, ALCO

SHEAVES - Martin, Wood's

SHELVING - Cardinal, Edsal, Lyon, Quantum, Power Rivet, Tennsco

SHORING SHIELDS - Speed Shore

SHOVELS - Ames, Cooper

SHROUDS - Bucyrus, BYG, ESCO

SHUNTS - LOCOMOTIVE - General Electric, EMD

SIGNS (SAFETY) - Safety Sign Co.

SHIM STOCK (ROLLS & SHEETS) - Precision

SKID TURNERS - Southworth

SKIMMERS - FMC

SLATE BARS - Ames, Bowdil

SLEEVES (FLEXIBLE) - Martin

SLINGS (CHAIN) - Acco, Campbell, Columbus McKinnon, Crosby, Laclede

SLINGS (NYLON) - Allegheny, Caldwell, Liftex, Lift Tech, Pennsylvania, Volunteer, Wear-Flex, Wireco

SLINGS (WIRE ROPE) - Broderick & Bascom, MacWhyte, Volunteer, WIRCO

SOCKETS - Armstrong, Crosby, LaCled

SPADS - Die Matic

SPIKES - Kimes, Vossloh

SPLITTERS (HYDRAULIC) - Elco, Enerpac

SPRAY LUBRICANTS - Aervoe, Bel-Ray, Break-Free, CRC, LPS, Loctite

SPRAY NOZZLES - Spraying Systems, Steinen

SPREADERS (SALT, SAND & GRAVEL) - Enerpac, Tarrant

SPROCKETS - Eriez, Martin Sprocket, Union

SQUARER (BELT CUTTER) - Ridge Tool

STAPLERS (ELECTRIC) - DeWalt

STEAM CLEANERS - MI-T-M

STEEL (ARMOR PLATE) - SSAB-Armox

STEEL (CHANNELS) - Gerdau Ameristeel, Logan, Nucor

STEEL (CLAD WEAR PLATE) - Alabama Hard Surfacing, Hardsteel, Wear Services

STEEL (COLD FINISH) - Gerdau Ameristeel, Nucor

STEEL (DECKING) - ICP, Logan

STEEL (DRILL) - Logan

STEEL (EXPANDED) - Direct Metals

STEEL (MILD PLATE) - ISG, Mittal, Nucor, Olympic, O'Neal, Temtco

STEEL (STRUCTURAL) - Gerdau Ameristeel, Logan, SSAB

STEEL (T-1) - Mittal, O'Neal, SSAB-Hardox, SSAB-Alabama, Siskin, Temtco



STEPS - Logan NON-COMPLEX® RENEWAL PARTS



STEPS & HANDRAILS - LOCOMOTIVE - General Electric, EMD

STOMPERS - Stone

STRAINERS - Conflow, Dixon

STRAPPING - Band-it

STRIP DOORS - Spanco

STRIPS (PVC) - Spanco

SUPPRESSION SYSTEMS (FIRE) - Ansul

SWEEPER PARTS & SERVICE - Johnston, Sweepster

SWEEPERS (STREET) - Johnston, Sweepster

SWEEPERS (TRAILER MOUNTED) - Johnston, M-B Co., Sweepster

SWEEPING COMPOUND - Eagle-Picher

SWITCHES - Duquesne, Phoenix

SWITCHES - LOCOMOTIVE - General Electric, EMD

SWIVELS - Crosby

T

TABLES (LIFT) - Advance, Southworth, Spanco, Valley Craft

TAILGATES - Logan NON-COMPLEX®

RENEWAL PARTS



TAPS (DRILL) - Morse, National Twist Drill, Republic

TAPE (ELECTRICAL & SPLICING) - Aervoe, National

TAPE (MEASURING) - Cooper, Keson, Lufkin, Starrett

TARPAULINS - Midwest, Service Canvas

TEETH (DRAG LINE) - BYG, ESCO

TEETH (RIPPER) - Bucyrus, BYG, ESCO

TERMINALS & LUGS - LOCOMOTIVE - General Electric, EMD

TIES (MINE) - Vossloh

TILTERS - Advance, Southworth

TOOL BAGS - Superior

TOOL ROOM SUPPLIES - Shop Aid

TOOLMAKERS INK - Aervoe

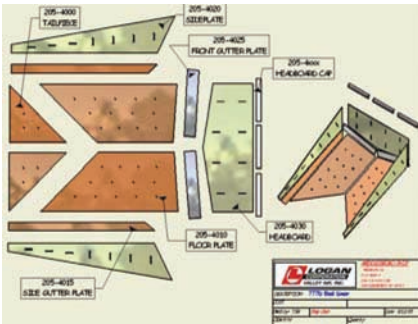
TOOLS - Alcoa (Huck), Aldon, Allen, American Pneumatic, Ames, Armstrong, Atlas Copco, Channellock, Cooper, Council, DeWalt, Kent, Ridge Tool, Starrett, Sullair, Urrea, Williams

TOOLS (CUTTING) - Boro Park, Rogers

TOOLS (GROUND ENGAGING) - Bucyrus, BYG, ESCO

TOOLS (RESHARPEN) - Sabetelli

TRACK BOLTS & SPIKES - Aldon, Vossloh
TRACTION GENERATORS - LOCOMOTIVE - General Electric, EMD
TRACTION MOTORS - LOCOMOTIVE - General Electric, EMD, ALCO
TROLLEY LINE MATERIAL - Duquesne, Phoenix
TROLLEY POLES - Keith Lumber, Phoenix
TROWEL BLADES - Multiquip, Stone, Wacker, Wagman
TROWELS - Multiquip, Stone, Wacker
TRUCK BED LINERS - Logan



TRUCK PARTS - LOCOMOTIVE - General Electric, EMD
TUBE BENDERS (HYDRAULIC) - Enerpac
TUBING - Crestwood, Maverick, National, Vincent
TURNBUCKLES - ACCO, Campbell, Columbus McKinnon, Crosby, Southern Wire
TURNERS (SKID) - Southworth, Valley Craft

V

VACUUM PUMPS - Sullair
VALVES (AIR) - Dixon
VIBRATORS - Multiquip, Stone, Vibco, Wacker
VISES - Jet, Kurt, Wilton
VOLTAGE REGULATORS - LOCOMOTIVE - General Electric, EMD

W

WASHERS (PRESSURE) - MI-T-M
WATER - Artesian, Tyler
WATER COOLERS - Igloo, Rubbermaid
WATER (TRUCKS) - Magnum, Multiquip
WATER PUMPS - LOCOMOTIVE - General Electric, EMD

WEAR PLATES - LOCOMOTIVE - General Electric, EMD
WEDGES (SPLITTING) - Warwood
WELDERS - Honda, Lincoln, Multiquip
WHEELBARROWS - Ames
WHEELS (ABRASIVE) - Arrow, Camel, Edmar, Everett, Standard Abrasives, Superior Abrasives, United Abrasives (Sait)
WHEELS (Grinding) - Arrow, Camel, Edmar, Everett, Standard Abrasives, Superior Abrasives, United Abrasives (Sait)
WHEELS & CASTERS - Amjack, Faultless, Hamilton, FMC
WINCH - Ingersoll-Rand
WINDOWS & GLASS - LOCOMOTIVE - General Electric, EMD
WIPER BLADES - Urethane Specialty
WIPER MOTORS, BLADES & ARMS - LOCOMOTIVE - General Electric, EMD
WIPERS - Coastal Wipers, Star Wipes
WIRE (MUSIC) - Precision
WIRE MESH - Connecticut Steel, Nashville
WIRE ROPE - Anchor, Bridon, Broderick & Bascom, MacWhyte, Volunteer, WIRCO
WIRE ROPE ATTACHMENTS - Broderick & Bascom, Crosby, MacWhyte, Volunteer
WIRE ROPE CLIPS - Campbell, Columbus McKinnon, Crosby, Van Beest
WIRE ROPE CUTTERS - Morse-Starrett
WIRE ROPE FITTINGS - Campbell, Columbus McKinnon, Crosby, MacWhyte, Volunteer, WIRCO
WIRE ROPE SLINGS - Bridon, Broderick & Bascom, MacWhyte, Volunteer, WIRCO
WRENCHES (ADJUSTABLE) - Armstrong, Cooper, Eklind, Urrea, Williams
WRENCHES - Aldon, DeWalt, Enerpac, Ingersoll-Rand, Kent



www.logancorp.com

